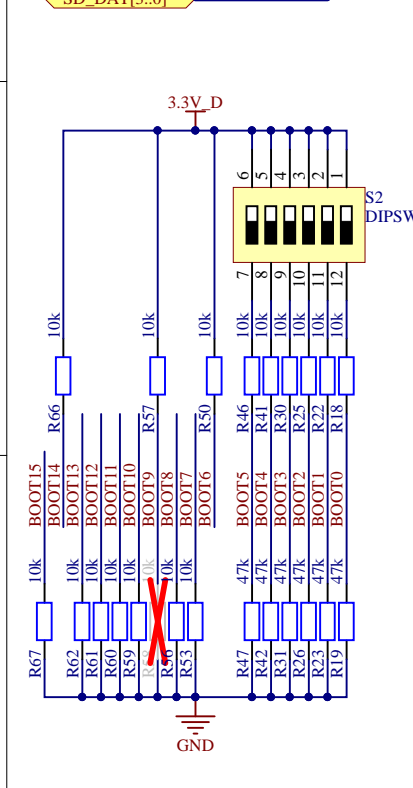


Title		Block Diagram	
Size	A4	Project	chiliboard Basic
Date	2016-03-31	Rev	1.1.0
		Number	*
		Sheet	1 / 6

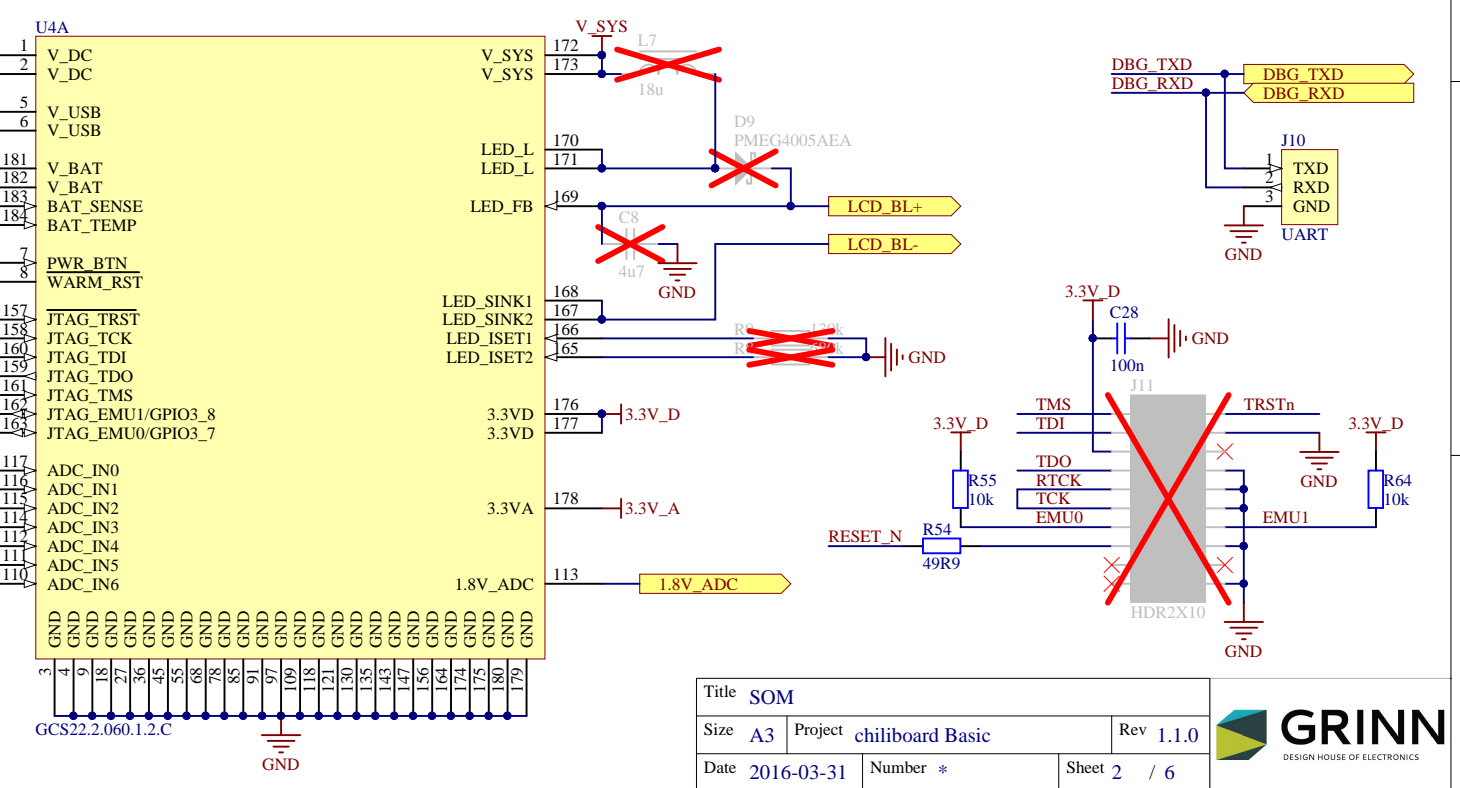
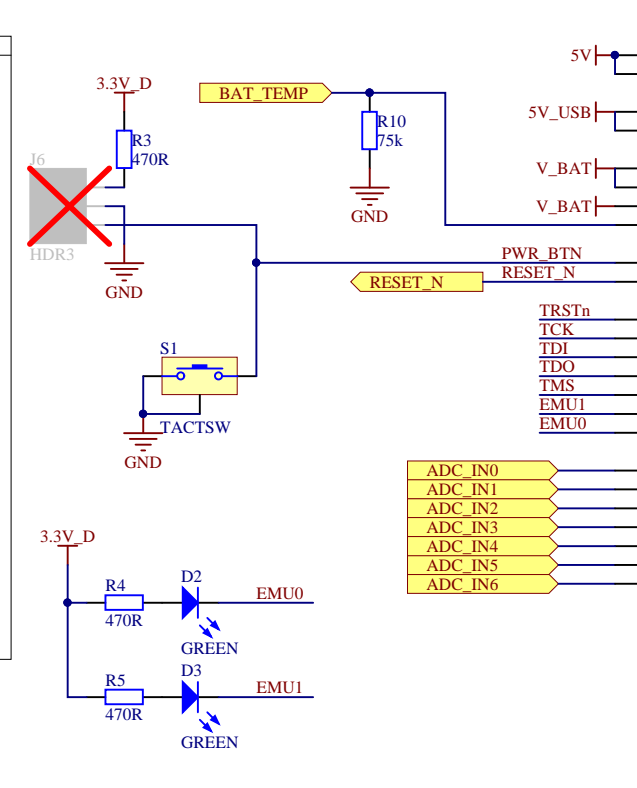


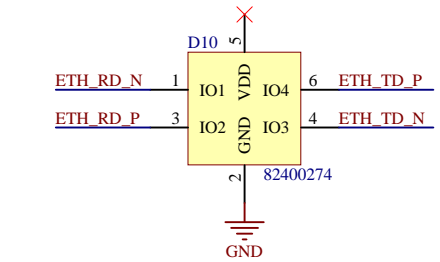
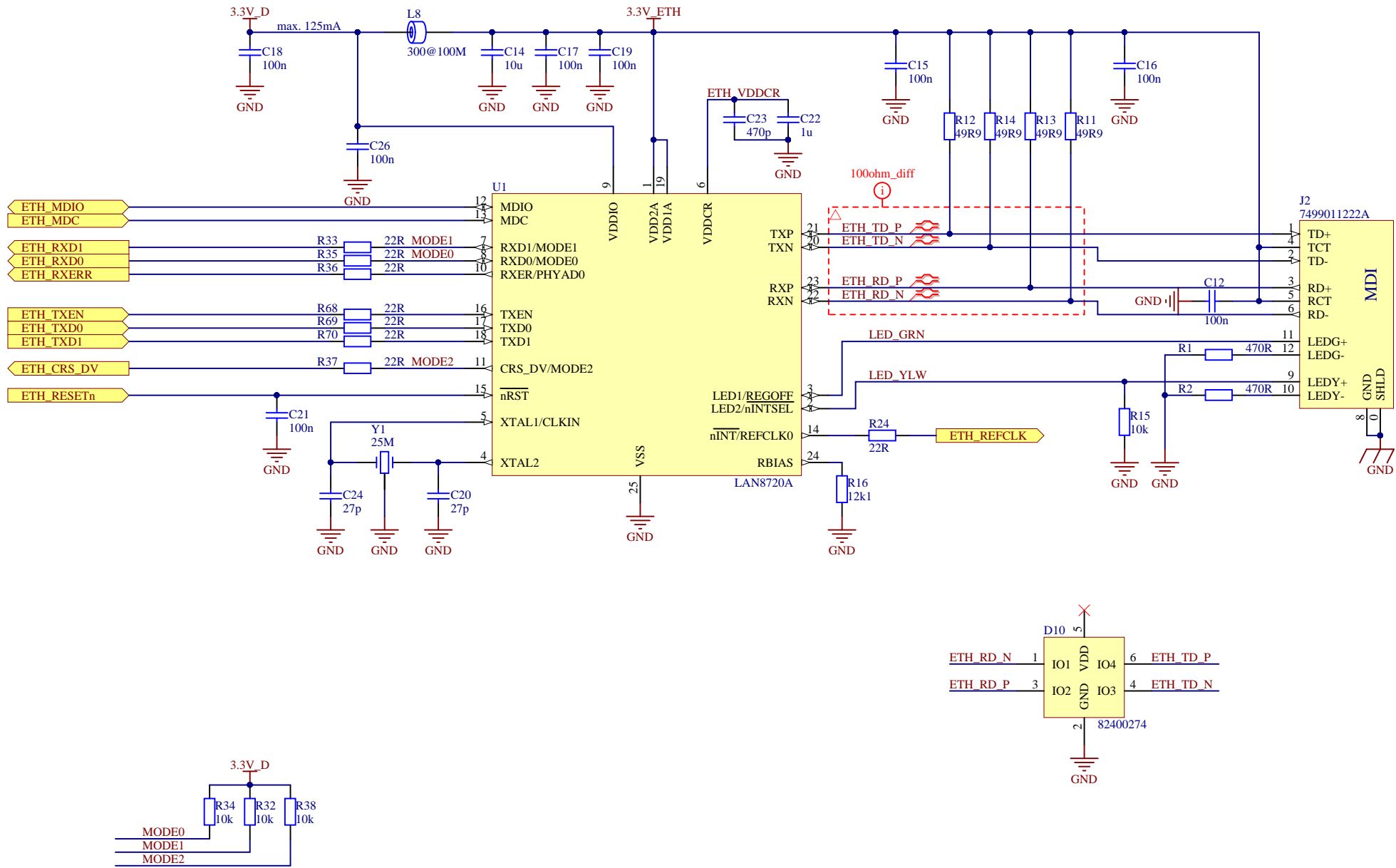


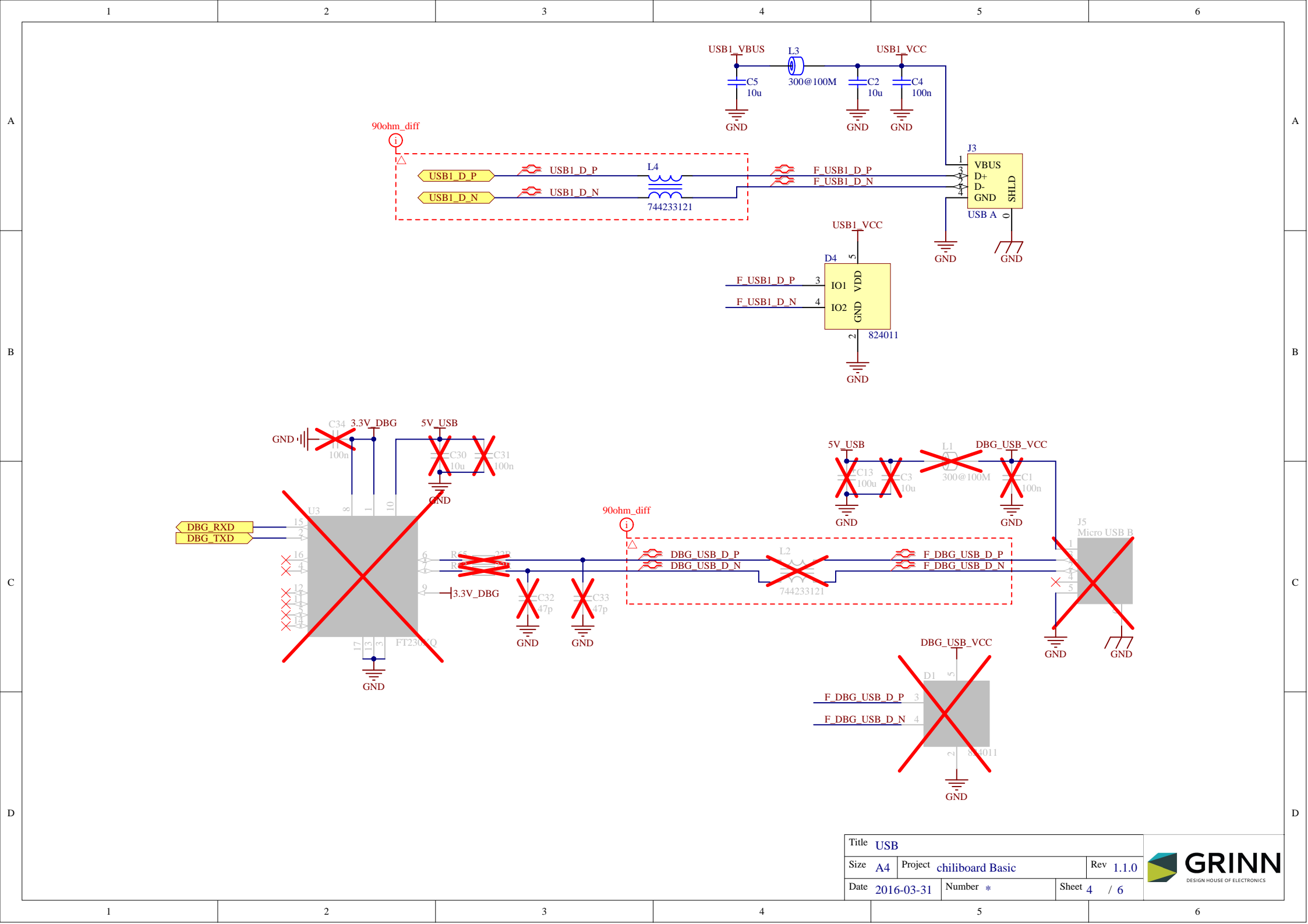
BOOT[4:0]	1st	2nd	3rd	4th
00000	RESERVED	RESERVED	RESERVED	RESERVED
00001	UART0	XIP w/MUX2	MMC0	SPI0
00010	UART0	SPI0	NAND	NANDI2C
00011	UART0	SPI0	XIP MUX2	MMC0
00100	UART0	XIP w/MUX1	MMC0	NAND
00101	UART0	XIP MUX1	SPI0	NANDI2C
00110	EMAC1	SPI0	NAND	NANDI2C
00111	EMAC1	MMC0	XIP w/MUX2	NAND
01000	EMAC1	MMC0	XIP MUX2	NANDI2C
01001	EMAC1	XIP w/MUX1	NAND	MMC0
01010	EMAC1	XIP MUX1	SPI0	NANDI2C
01011	USB0	NAND	SPI0	MMC0
01100	USB0	NAND	XIP MUX2	NANDI2C
01101	USB0	NAND	XIP MUX1	SPI0
01110	RESERVED	RESERVED	RESERVED	RESERVED
01111	UART0	EMAC1	RESERVED	RESERVED
10000	XIP MUX1	UART0	EMAC1	MMC0
10001	XIP w/MUX1	UART0	EMAC1	MMC0
10010	NAND	NANDI2C	USB0	UART0
10011	NAND	NANDI2C	MMC0	UART0
10100	NAND	NANDI2C	SPI0	EMAC1
10101	NANDI2C	MMC0	EMAC1	UART0
10110	SPI0	MMC0	UART0	EMAC1
10111	MMC0	SPI0	UART0	USB0
11000	SPI0	MMC0	USB0	UART0
11001	SPI0	MMC0	EMAC1	UART0
11010	XIP MUX2	UART0	SPI0	MMC0
11011	XIP w/MUX2	UART0	SPI0	MMC0
11100	MMC1	MMC0	UART0	USB0
11101	RESERVED	RESERVED	RESERVED	RESERVED
11110	RESERVED	RESERVED	RESERVED	RESERVED
11111	FAST EXT	EMAC1	UART0	RESERVED

BOOT[5]	0	1
0	CLKOUT1 disabled	
1	CLKOUT1 enabled	

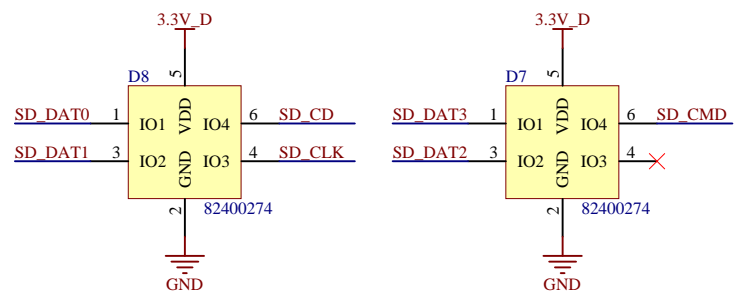
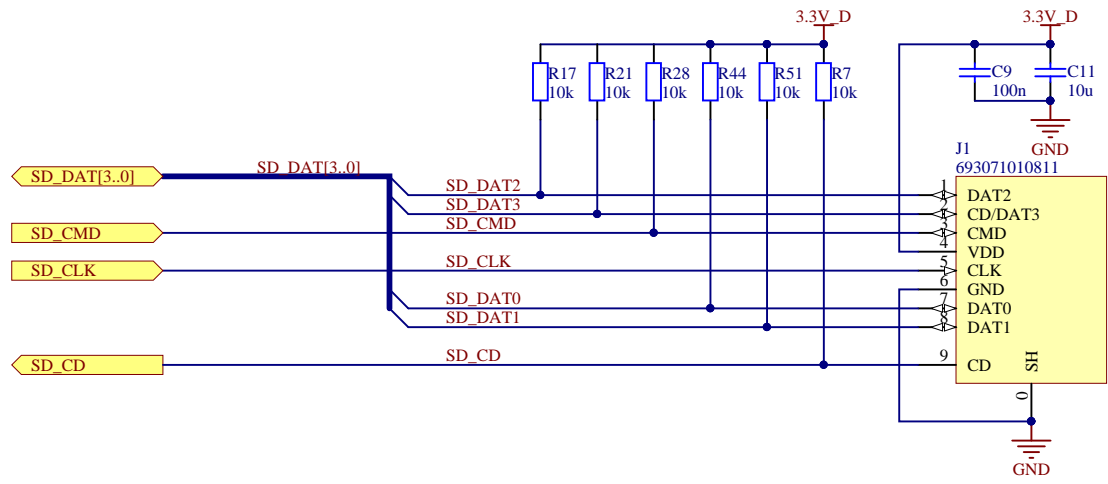






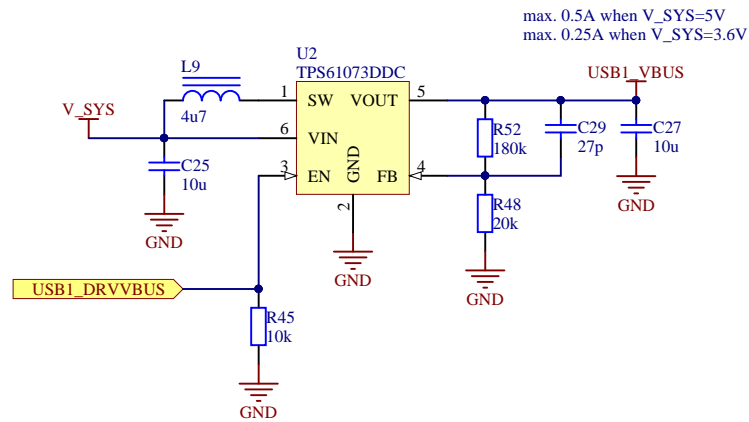
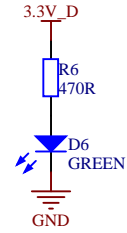
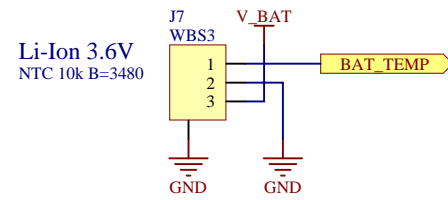
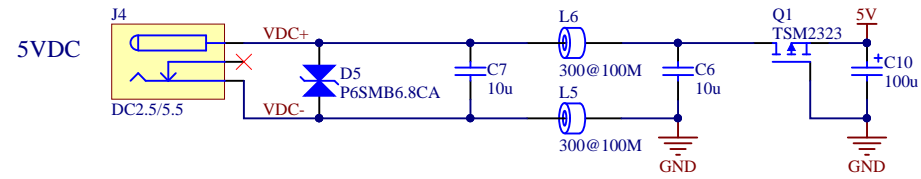
Title USB			
Size A4	Project chiliboard Basic	Rev 1.1.0	
Date 2016-03-31	Number *	Sheet 4 / 6	





Title		Micro SD Card Socket	
Size	A4	Project	chiliboard Basic
Date	2016-03-31	Rev	1.1.0
		Number	Sheet 5 / 6





Title		Power Supply	
Size	A4	Project	chiliboard Basic
Date	2016-03-31	Rev	1.1.0
	Number *	Sheet	6 / 6

